



Surly Rear Rack Instructions

Hi there. Thanks for spending your hard-earned cash on this Surly product. Surly stuff is designed to be useful and durable. We're confident it will serve you well for years to come.

⚠ WARNING: Cycling can be dangerous. Bicycle products should be installed and serviced by a professional mechanic. Never modify your bicycle or accessories. Read and follow all product instructions and warnings including information on the manufacturer's website. Inspect your bicycle before every ride. Always wear a helmet.

Do not carry any live cargo (i.e. pets) as this may cause a shift in balance and a crash resulting in serious injury to both you and your cargo.

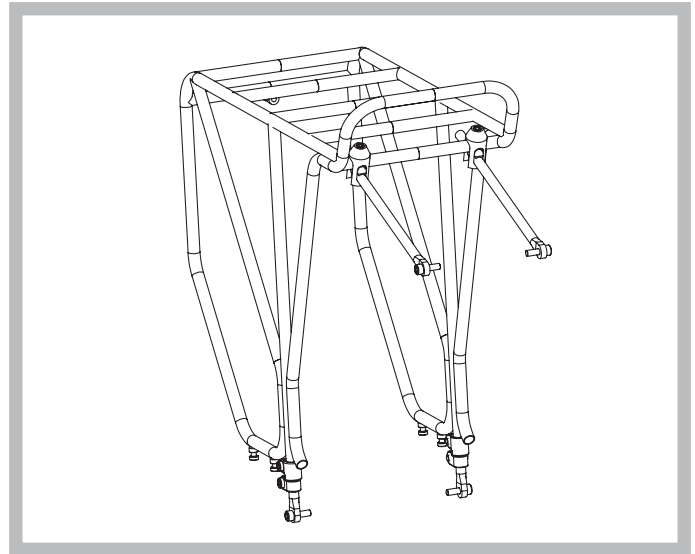
Bicycle steering and braking may behave differently with a loaded rack.

Position reflectors and lights so that they are not obscured when rack is loaded.

Evenly distribute weight on both sides of rack.

An improperly modified rack can cause you to lose control and fall. NEVER MODIFY YOUR RACK OUTSIDE OF THESE INSTRUCTIONS.

Additional Product and Safety Information can be found at the website <http://surlybikes.com/safety>



Intended Use



ASTM Condition 2

Riding in Condition 1 plus smooth gravel roads and groomed trails with low-angle grades and drop-offs of less than 6" (15cm).

Compatibility

The hardware we provide will enable you to fit our rack to most rigid 26" and 700c frames. Our rear rack WILL work with disc brakes on our Troll, Ogre, ECR, and Disc Trucker frames. We also have aftermarket upper tubes available in longer 240mm length so you can fit the Rear Rack to smaller frames and still keep things level. Compatible with panniers that use attachment clamps that fit a 10mm tubing diameter.

Load weight limit: 36 kg (80 lb).

Tools Needed

- 4mm hex key
- Grease
- Mallet
- 5mm x .8 tap to clean up frame thread
- Hacksaw to shorten upper stay tubes if necessary
- Torque wrench that measures in Nm
- Linseed oil, Framesaver, Boeshield, or engine fogging oil (optional but highly recommended)

Hardware Included

(2) M8 x 1.25 x 10mm set screw

(2) Upper barrel

(2) Upper tube block

(2) Lower tube block

(2) Upper stay tube

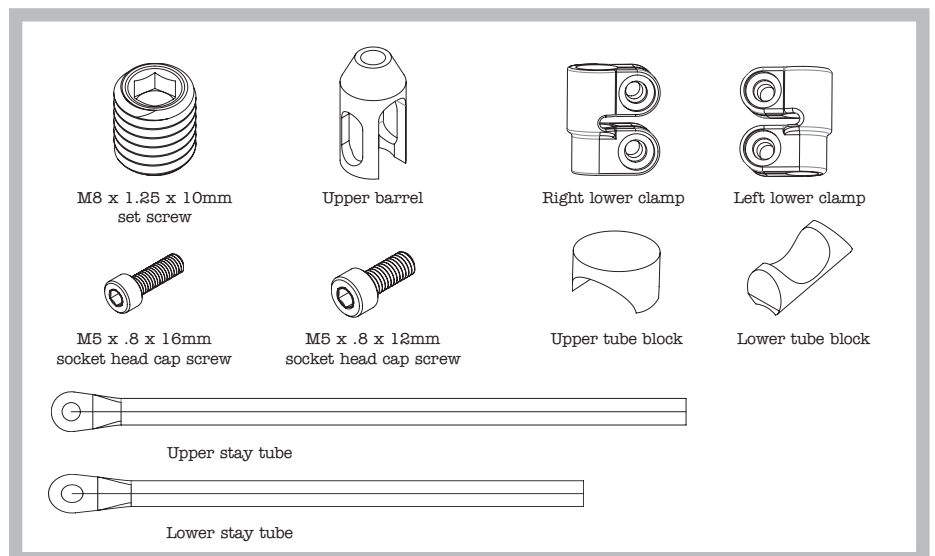
(2) Lower stay tube

(1) Left lower clamp

(1) Right lower clamp

(4) M5 x .8 x 12mm socket head cap screw

(4) M5 x .8 x 16mm socket head cap screw



Assembly Instructions

1. Start with a clean workspace, inventory hardware and gather supplies. Position the rack, upside down, on your work surface. The rear of the rack should overhang the edge of the work surface as shown in Figure 1. Optional—apply oil or Framesaver to the inside of the rack tubes (through the vent holes) to aid in corrosion prevention. For best results, allow time for the oil or Framesaver to soak in with the vertical holes covered and rotate occasionally.

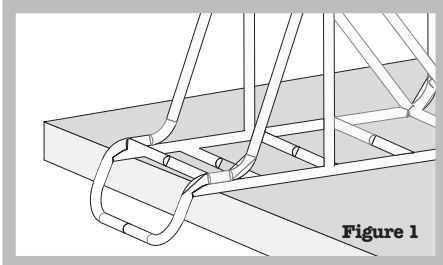


Figure 1

2. Install the left and right lower clamps onto the rack. The larger diameter end of the clamp fits over the bottom of the rack—grease the inside bore of each clamp, and use a mallet to tap each clamp onto the rack. (Figure 2) The counterbores should be facing the outside of the rack, and the slots of the clamps should line up with the slots of the rack.

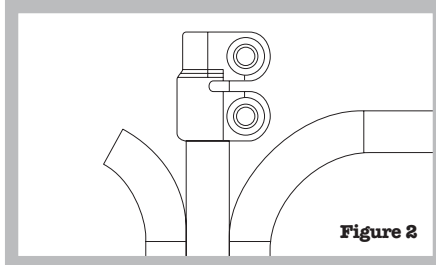


Figure 2

3. If you have difficulty installing the clamps, you can (1) spread open the clamp slightly with the blade of a screwdriver or (2) use the “penny trick”: (a) thread any of the M5 bolts into the threaded holes of the clamp (b) insert thin coins partially into the clamp slot (c) slowly tighten the bolts against the coins until the clamp spreads enough to allow its installation. (Figure 3)

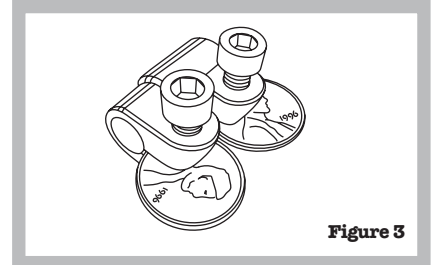


Figure 3

4. Lightly grease the lower rack stays and install them into the clamps. (Figure 4). Grease the threads of the 12mm cap screws, and partially thread the screws into the clamps. (Figure 5). Don't tighten them yet.

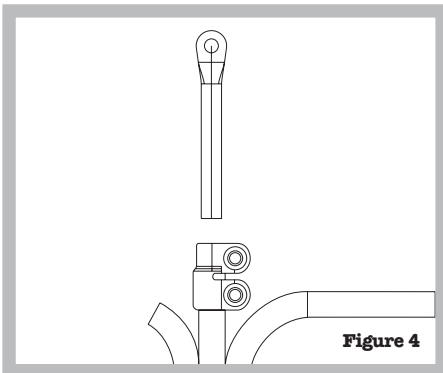


Figure 4

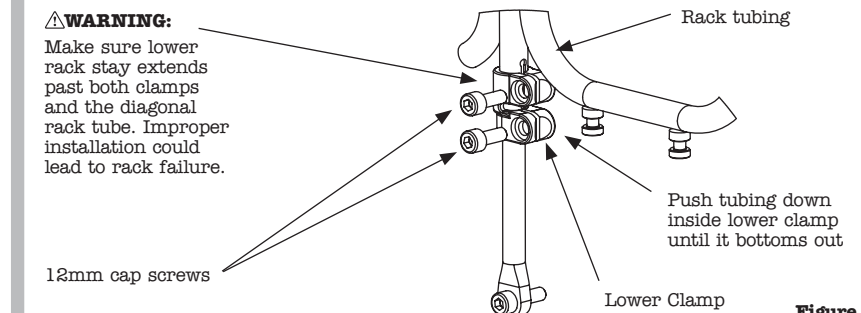


Figure 5

6. Drop the upper tube blocks into the upper barrels. The flat ends of the tube blocks should face the set screws. Align the radii of the blocks with the radii of the barrels. (Figure 6)

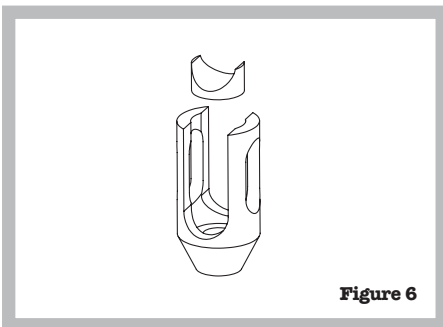


Figure 6

7. Install upper barrels onto the rack tube as shown in Figure 7.

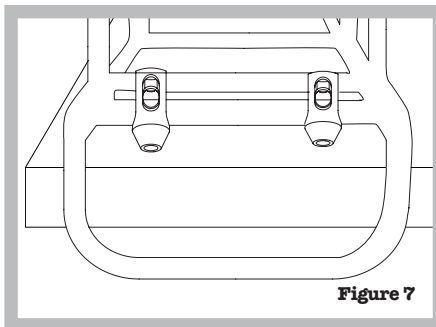


Figure 7

8. Orient the upper and lower tube blocks, as well as the upper rack stay and rack tubing as shown in Figure 8.

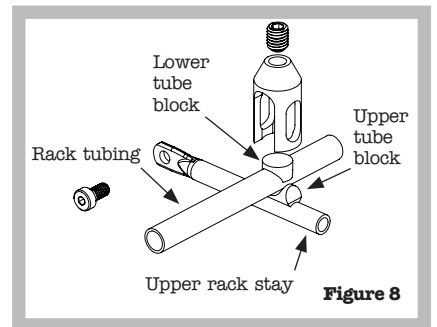


Figure 8

9. Figure 9 shows how the tube blocks and sliders should be assembled. Tighten the set screws just enough to keep the assembly together while installing the rack onto the frame, but loose enough to allow adjustment.

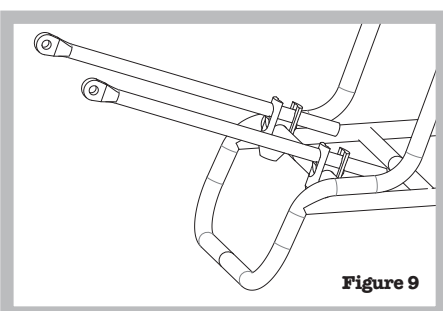


Figure 9

Attaching The Rack To Your Bike

1. Install the rack onto the appropriate rack mounts on the frame using the 16mm cap screws, and grease the threads lightly. Leave the screws slightly loose until height and angle adjustments are made. **Remember:** The upper hardware slides on the rack tube to adjust for the width of the frame braze-ons.
2. Mount your rack low, so the center of gravity stays low when the rack is loaded. Leave ample clearance for the tire and fender. We recommend at least 6mm.
3. Tighten the lower clamp hardware to 3–4N-m when the proper height is attained.
4. Adjust the rack angle, so it's parallel to the ground.
5. Tighten the set screws to 6N-m when the proper angle is attained.
6. Tighten the upper 16mm cap screws to 6N-m to finish the installation.

Ongoing Maintenance

If you lack proper tools, knowledge, or patience to get the job done right, visit your friendly local bike mechanic for assistance. Spare parts are available in the event that you break or lose something.

Your new rack requires little maintenance. Check the tightness of the hardware once in a while. Spray a little oil inside the tubes on occasion, if you're prone to riding in wet conditions.

Limited Warranty

This Surly product is warranted against defects in materials and workmanship for one year from the date of retail purchase of the product, subject to the limitations detailed below. Save your dated receipt for proof of purchase.

This warranty does NOT cover the following:

- Damage due to improper assembly or follow-up maintenance or lack of skill, competence or experience of the user or assembler
- Products that have been modified, neglected, used in competition or for commercial purposes, misused or abused, involved in accidents or anything other than normal use
- Installation of components, parts or accessories not originally intended for or compatible with Surly product as sold
- Damage or deterioration to the paint, surface finish, aesthetics or appearance of the product
- Normal wear and tear
- Labor required to remove and/or refit and re-adjust the product within the bicycle assembly

This limited warranty is expressly limited to the repair or replacement of a defective product, at the option of Surly, and is the sole remedy of the warranty. This limited warranty applies only to the original purchaser of the Surly product and is not transferable. This warranty applies only to products purchased through an authorized dealer or distributor. In no event shall Surly be liable for any loss, inconvenience or damage, whether direct, incidental, consequential, or otherwise resulting from breach of any express or implied warranty or condition, of merchantability, fitness for a particular purpose, or otherwise with respect to our products except as set forth herein.

This limited warranty gives the consumer specific legal rights, and those rights and other rights may vary from place to place. This limited warranty does not affect your statutory rights.

TO THE EXTENT NOT PROHIBITED BY LAW, THESE WARRANTIES ARE EXCLUSIVE AND THERE ARE NO OTHER EXPRESS OR IMPLIED WARRANTIES OR CONDITIONS INCLUDING WARRANTIES OR CONDITIONS OF MERCHANTABILITY AND FITNESS FOR A PARTICULAR PURPOSE.

OTHER PRODUCTS:

Give us a call for a free catalog or visit our website to check out all our stuff—you won't be disappointed.

Surly

6400 West 105th Street
Bloomington, MN 55438

The Watts Line: 877.743.3191

The Email: derby@surlybikes.com

The Web Address: surlybikes.com