



## Care and use instructions

### CAUTION

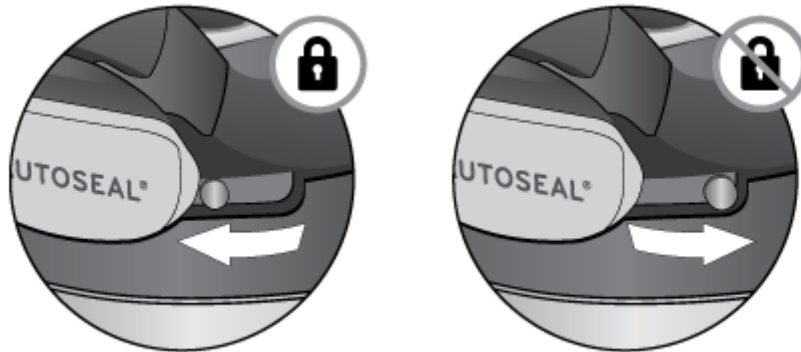
- Product is NOT designed for hot liquids. Use only with cold liquids.
- Not for use with carbonated or pulpy beverages.
- Prior to drinking, make sure the lid is properly threaded to the body and screwed on completely.
- Avoid accidental depressing of the AUTOSEAL® button by keeping the button free and clear of other objects.
- DO NOT overfill. Fill liquids to just below the threading in the body.
- DO NOT microwave or freeze.
- DO NOT use cleaners containing bleach, chlorine, abrasives, and/or other harsh chemicals.
- DO NOT continue to use product if damaged.

### USAGE RECOMMENDATIONS



- The AUTOSEAL lid that came with your new purchase is designed to only fit your Contigo® water bottle. Not for use with other products.
- Use the bottle's lock feature to avoid unintended depressing of the AUTOSEAL® button.

# contigo®



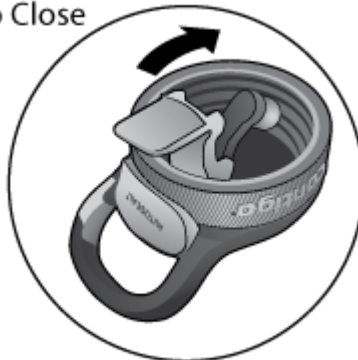
## CLEANING INSTRUCTIONS

- Wash thoroughly before first use.
- Flip open the lid interior before rinsing or washing.

To Open

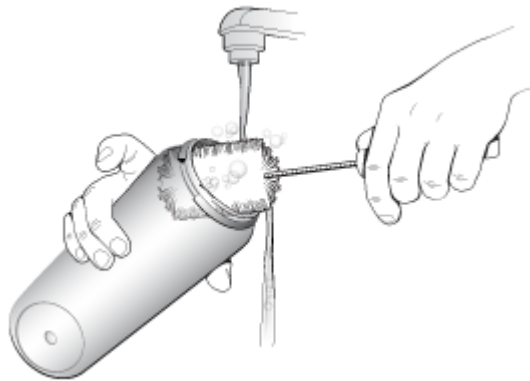
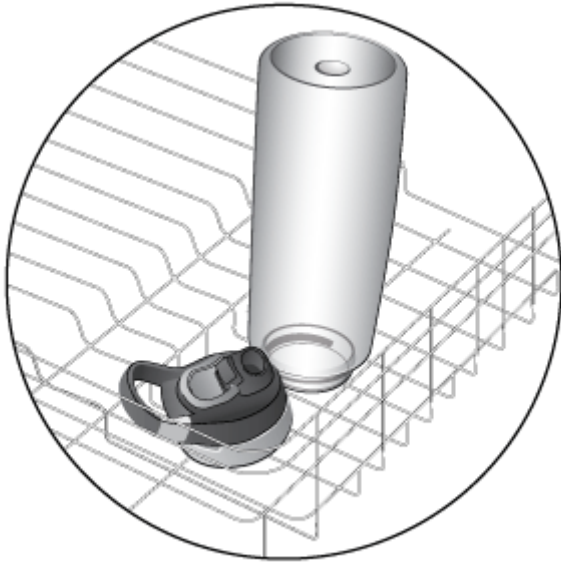


To Close



- RINSE LID IMMEDIATELY AFTER EACH USE with warm water, pressing the AUTOSEAL button so water flows through the drink spout and vent hole.
- Lid, plastic body are top-rack dishwasher safe.
- If washing by hand, soak the lid for 10 minutes in hot, soapy tap water. Hand-wash body with warm water and a mild detergent. Rinse both the lid and body thoroughly before use.

**contigo®**



- If washing by hand, wash body and lid separately with warm water and a mild detergent. Rinse both lid and body thoroughly before use.
- **ALWAYS STORE BOTTLE WITH LID REMOVED** to allow parts to dry completely.

