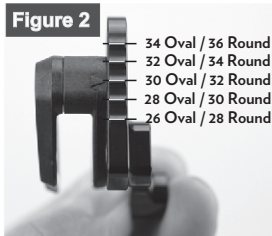
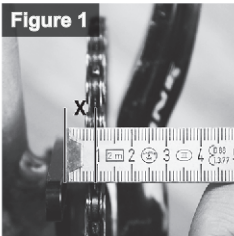
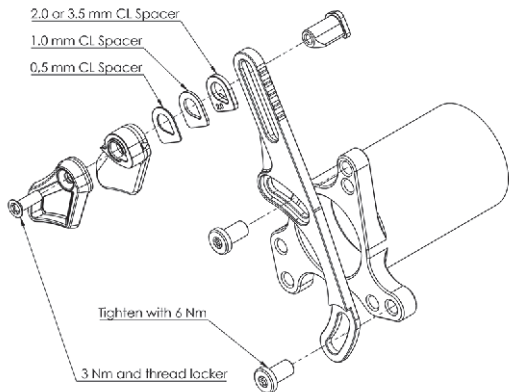


Oval Guide Installation Instruction

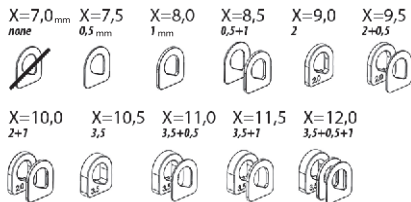
absoluteBLACK
established MMVIII



1. Mount the Backplate to your frame with just one bolt.

2. Measure distance between Backplate and Chaining Center (X mm) as shown in **Figure 1**.

3. Uninstall Backplate and add **CL spacers** as shown below:



4. Assemble the Oval Guide same way as shown on the left. Setup height according to your chaining size - **Figure 2**. Tighten blue bolt (Torx 25) to 3Nm. You can apply medium strength Loctite.

5. Install the Oval Guide to your frame with 2x Torx 25 bolts. Adjust position of the guide to line up the Blue bolt at 12 o'clock. Tighten mounting bolts with 5-6Nm.



For more information visit
www.absoluteblack.cc